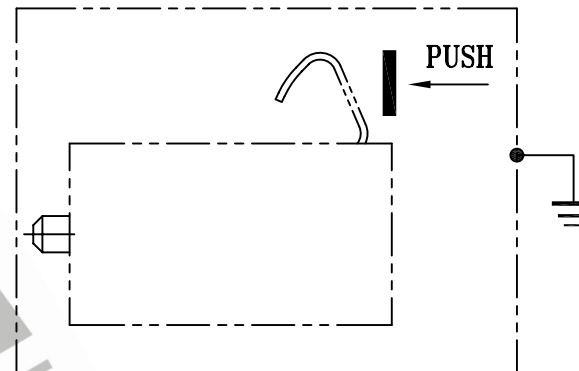
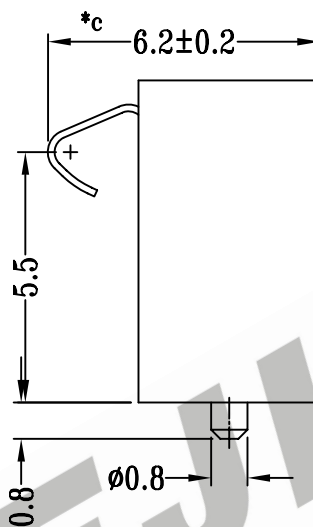
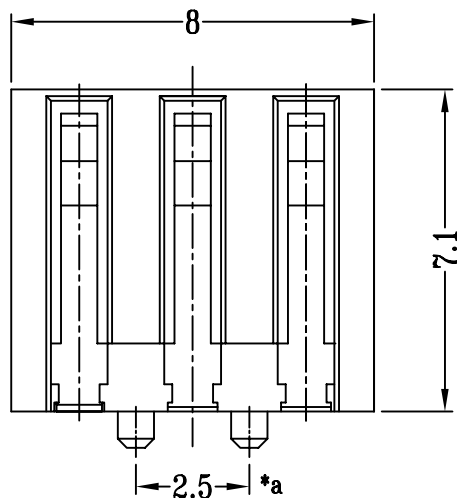
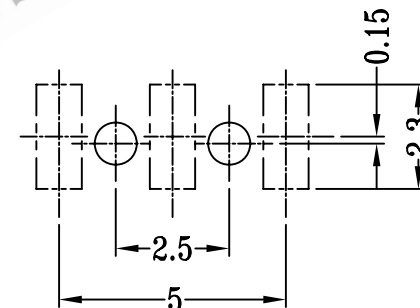
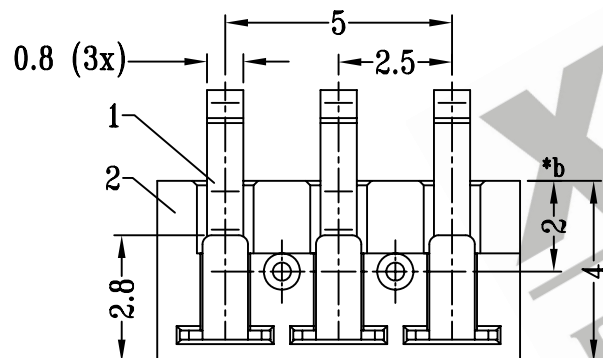


CAD FILE:



SCHEMATIC



P.C.B LAYOUT

注:带"*"表示关键尺寸(3个)

8					TOLERANCE	SHENZHEN XIEJIA ELECTRONICS CO.,LTD.					
7					UNLESS SPECIFIED						
6					WITHIN: 1.5±0.1mm						
5					OVER : 1.5±0.2mm	ISSUE	DATE	DESCRIPTIONS		APPD.	
4						TITLE : BATTERY CONNECTOR		UNIT : MM	DRWG NO.: XJ-DR-BN3250-00		
3						MODEL: BN-3250		SCALE: 6:1	DWN.	ZHOUYU	2000-3-14
2	CASE	PA46	1	BLACK					CHK'D	FANGYING	2000-3-14
1	TERMINAL	PBS	3	Au PLATED OVER Ni PLATED					APPD.	KANGXINAN	2000-3-14
NO.	PART NAME	MATERIAL	Q'TY	FINISHING	ALL MATERIALS MUST BE COMPLIANT TO ROHS						